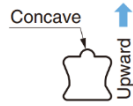


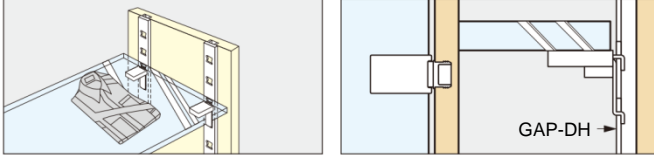
## GAP-DH Shelf Standard (Recessed Mount)

### Features

- Aluminium shelf standard
- Easy to cut to desired length
- Designed for press-fit mount without using screws
- New slot shape to prevent shelf support from falling off

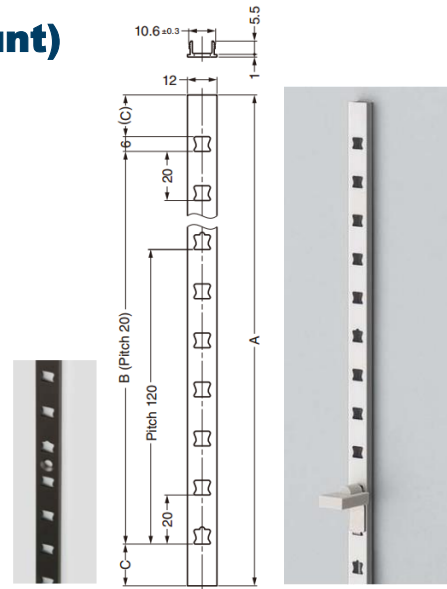


### Application Example



### Sold Separately

- Shelf support **GAP-FB20**
- End cap **GAP-EC20**



Part No.	Type	A	B	C	Material	Finish
<b>GAP-DH1820</b>	Recessed Mount	1820	1780	17	Aluminium Alloy	Anodized Silver
<b>GAP-DH1820BL</b>	Recessed Mount	1820	1780	17	Aluminium Alloy	Anodized Black
<b>GAP-DH2620</b>	Recessed Mount	2620	2500	47	Aluminium Alloy	Anodized Silver

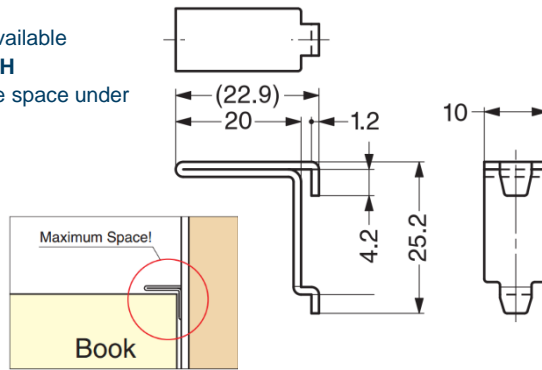
## GAP-FB20 Shelf Support

### Features

- Mirror and black colour available
- For **GAP-DM** and **GAP-DH**
- Designed to maximize the space under the shelf

### Sold Separately

- Shelf support cap **GAP-FC20** (below)
- Shelf holder **GAP-FA20**
- Shelf holder **GAP-FK20**

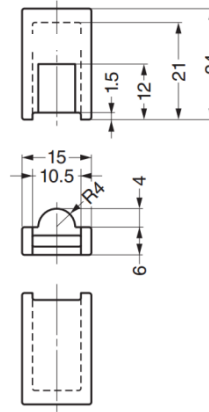
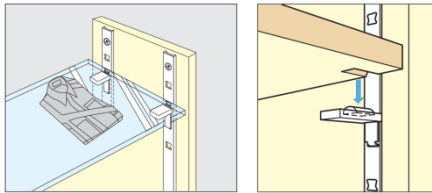


Part No.	Material	Finish	Load Capacity / 4 pcs	
<b>GAP-FB20</b>	Stainless Steel 430	Mirror	441 N	45 kg
<b>GAP-FB20L</b>		Black		

## GAP-FC20 Shelf Support Cap

### Features

- Light grey and black colour available
- For shelf support **GAP-FB20** (above)
- Insert the cap with half round shape facing up, and cutout the shelf to prevent from sliding



Part No.	Material	Finish
<b>GAP-FC20</b>	Elastomer (TPE)	Light Grey
<b>GAP-FC20-BL</b>		Black

## GAP-FA20 Shelf Holder

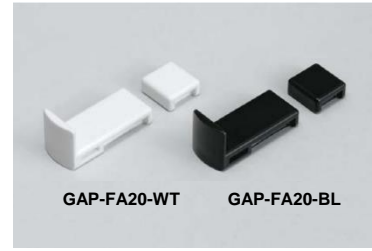
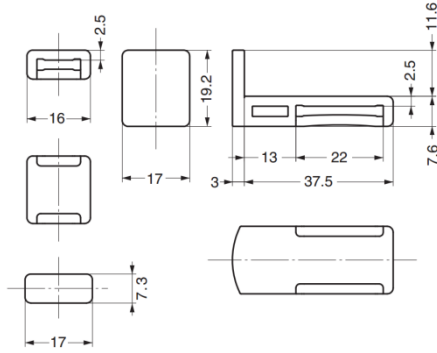
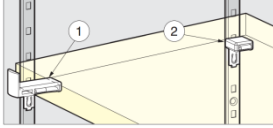
### Features

- Use with **GSPE-FB20S**, **GAP-FB20**

### Remarks

- Sold in sets (2 parts), 2 sets are necessary for 1 shelf

### Installation



GAP-FA20-WT

GAP-FA20-BL

Shelf Support	Board Thickness	Distance (Centre of shelf standard to edge of the shelf board)	
		①	②
GAP-FB20	Min.12	18 ~ 30	20
GSPE-FB20S	Min.12	17.5 ~ 30.5	21

Part No.	Material	Colour
GAP-FA20-WT	Polyethylene (PE)	White
GAP-FA20-BL		Black

## GAP-FK20D Shelf Support Hook

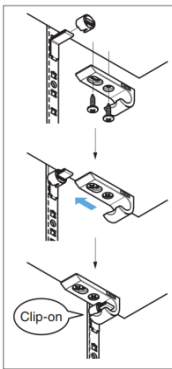
### Features

- Shelf support hook to be used with dowel **GAP-FK20C** (below) and shelf support
- Recommended angle: 0~60°
- Temporary holding feature

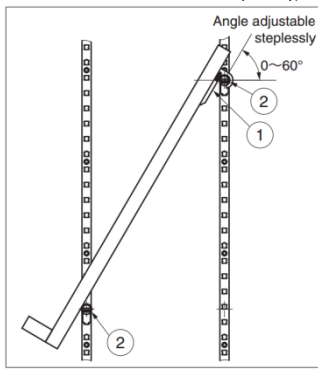
### Remarks

- Used in pairs
- Dowel **GAP-FK20C** and shelf support sold separately
- Truss head tapping screw 4x16 (SUS) 2 pcs included

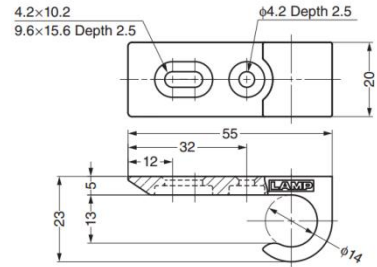
### Installation



### Application



- ① GAP-FK20D
- ② GAP-FK20C (sold separately)



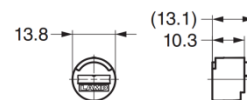
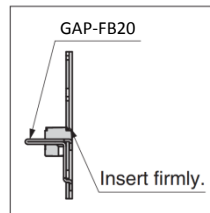
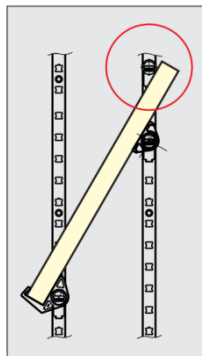
Part No.	Material	Colour	Door Thickness	Load Capacity / 4 pcs
GAP-FK20D	Polyacetal (POM)	White	Min. 18	294 N / 30 kg

## GAP-FK20C Dowel

### Features

- Recommended to use extra pieces for **GAP-FK20** to hold angled shelf
- For **GSPE-FB20S** and **GAP-FB20**
- 4 pcs are originally included in shelf holder **GAP-FK20**

### Installation



Part No.	Material	Colour
GAP-FK20C	Polyethylene (PE)	White

## GAP-FK20 Shelf Holder With Angle Adjusting Function

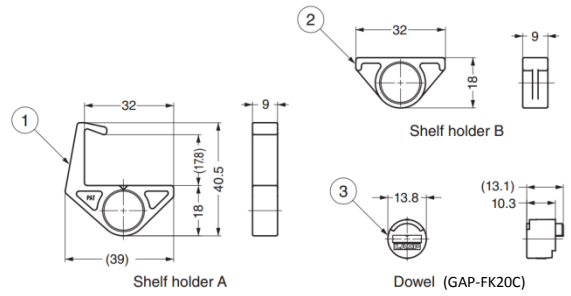
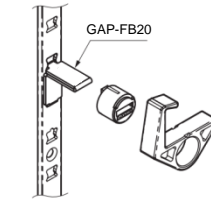
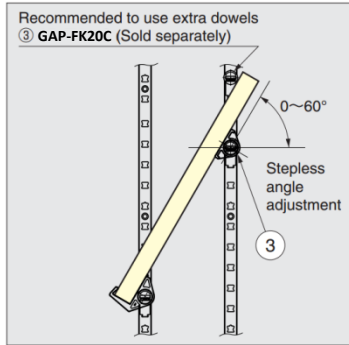
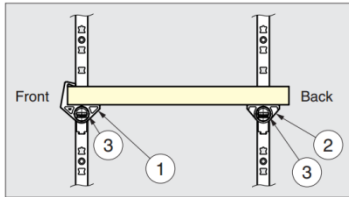
### Features

- Stepless angle adjustment
- For **GSPE-FB20S** and **GAP-FB20**

### Remarks

- Sold in sets (① 2 pcs, ② 2 pcs, ③ **GAP-FK20C** 4 pcs)
- Dowel **GAP-FK20C** is sold separately for additional use

### Installation



No.	Part Name	Colour	Material
①	Shelf Holder A	White	Polyacetal (POM)
②	Shelf Holder B	White	Polyacetal (POM)
③	Dowel	White	Polyethylene (PE)

Part No.	Door Thickness	Load Capacity / 2pcs
<b>GAP-FK20</b>	18~20	98 N / 10 kg